

# Med Lock Series

*Eight Inch Aperture Recessed Non-magnetic Downlites for MRI Installation*

**ML14**

## Specifications:

**Housing:** Non-magnetic stainless and aluminum plaster ring and yoke assembly supports reflector and lampholder housing.

**Reflector:** Open ellipsoidal spun aluminum reflector. Integral trim flange to cover ceiling cutout.

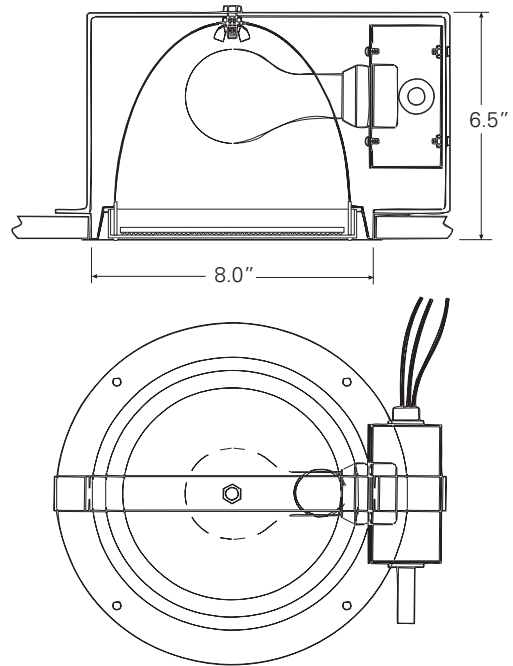
**Lens:** Patterned C73 .156" tempered glass lens in screw supported door frame.

**Lamps:** 150W A21 incandescent medium base. Lamps supplied by others.

**Electrical:** Porcelain body with aluminum and copper components. Non-magnetic splices and 10 foot supply extensions provided. Also provided is a non-magnetic flex conduit connector.

**Finish:** Bright anodized specular finish on trim flange, lens frame and reflector.

**Installation:** Two clearance holes located on plaster ring for attaching to ceiling framing members.



## Ordering Information:

ML - MRH - - - - -

Series	Installation Type	Material	Size	Lamps	Voltage	Options
ML	MRH = Recessed	4 = Aluminum & S.S.			120V	

8 = 8 Inch Aperture

150/INC = One 150W A-21 or A-23

Project: \_\_\_\_\_  
 Fixture Type: \_\_\_\_\_  
 Catalog Number: \_\_\_\_\_  
 Approved by: \_\_\_\_\_