

# Med Lock Series

*Eight Inch Aperture Recessed Non-magnetic Downlites for MRI Installation*

**ML13**

## Specifications:

**Housing:** Non-magnetic stainless and aluminum plaster ring and yoke assembly supports reflector and lampholder housing.

**Reflector:** Open ellipsoidal spun aluminum reflector. Integral trim flange to cover ceiling cutout.

**Lens:** 0.156" C73 Prismatic tempered glass in screw supported door frame.

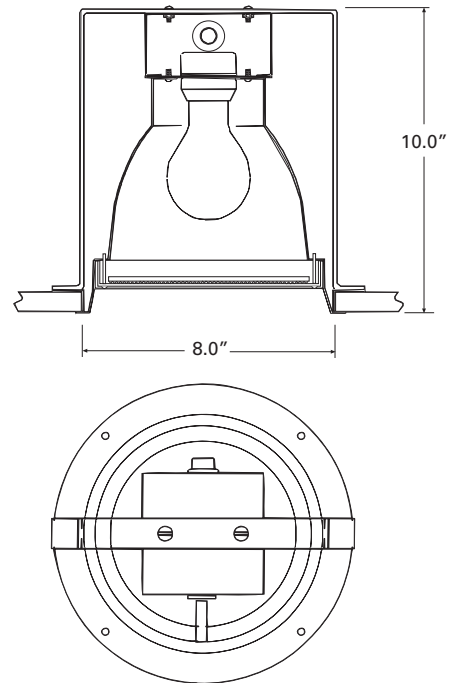
**Lamps:** 150W A21 incandescent medium base. Lamps supplied by others.

**Electrical:** Porcelain body with aluminum and copper components. Non-magnetic splices and 10 foot supply extensions provided. Also provided is a non-magnetic flex conduit connector.

**Finish:** Bright anodized specular finish on trim flange and reflector.

**Installation:** Two clearance holes located on plaster ring for attaching to ceiling framing members.

**Listings:** UL Listed for type Non-IC applications. IBEW Label.



## Ordering Information:

ML - MRV - - - - -						
Series	Installation Type	Material	Size	Lamps	Voltage	Options
ML	MRV = Recessed	4 = Aluminum & S.S.			120V	TG= Tempered Glass Lens WW= Wall Wash* CPS = Custom Paint Setup (White standard) * Consult factory
			8 = 8 Inch Aperture	150/INC = One 150W A-21 or A-23		

Project: \_\_\_\_\_  
 Fixture Type: \_\_\_\_\_  
 Catalog Number: \_\_\_\_\_  
 Approved by: \_\_\_\_\_



**Kurtzon Lighting** / Quality Since 1898

Morris Kurtzon, Incorporated  
 1420 South Talman Avenue, Chicago, Illinois 60608  
 773/277-2121 FAX 773/277-9164 © 2008  
 Website - www.kurtzon.com