

Med Lock Series

Six Inch Aperture Recessed Non-magnetic Downlites for MRI Installation

ML12

Specifications:

Housing: Non-magnetic stainless and aluminum plaster ring and base assembly supports reflector and lampholder housing. Housing can be adjustable in vertical depth and removable for electrical inspection.

Reflector: Injection molded plastic with specular aluminum coating.

Baffle: White elliptical coilex style with spring supports. Roll formed aluminum trim flange to cover ceiling cutout.

Lens: Injection molded acrylic prismatic diffuser seals dust from reflector and LED area.

LED: Titan Turbo Trucolor 24w array with thermal and ESD management systems.

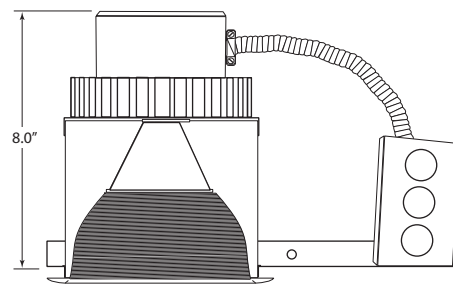
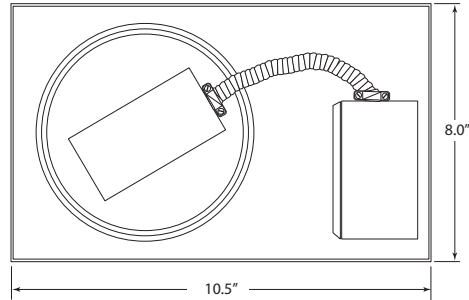
Electrical: Cast aluminum J-Box with two threaded conduit entrance points. Non-magnetic splices provided. All electrical hardware and interconnecting whip are non magnetic.

Remote Driver: 120-277v AC power supply with 1/2 inch trade size conduit entry points for low and line voltage connection. Mounting feet at each end for surface attachment at a location within 100 feet of the Luminaires.

Finish: White finished trim ring and white molded baffle.

Installation: .

Listings: (Pending) UL Listed for type Non-IC applications. IBEW Label.



Ordering Information:

ML - MRV - 4 - 6 - LED - UNV

Series	Installation Type	Material	Size	LED	Voltage
ML	MRV = Recessed	4 = Aluminum/Stainless steel			UNV = 120-277V

6 = 6 Inch Aperture

LED = One 24W Titan Turbo Trucolor array

Project: _____
 Fixture Type: _____
 Catalog Number: _____
 Approved by: _____



Kurtzon Lighting / Quality Since 1898

Morris Kurtzon, Incorporated
 1420 South Talman Avenue, Chicago, Illinois 60608
 773/277-2121 FAX 773/277-9164 © 2008
 Website - www.kurtzon.com

Med Lock Series

Eight Inch Aperture Recessed Non-magnetic Downlites for MRI Installation

ML12

Photometric Performance Data

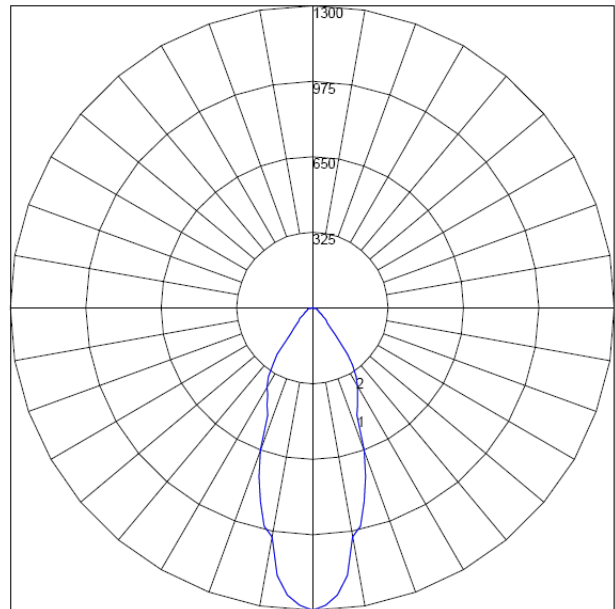
Preliminary data, consult factory for exact performance

Total Rated Lamp Lumens	1180
Total Luminaire Efficiency	77.8 %
CIE Type	Direct
Spacing Criteria (0-180)	0.64
Spacing Criteria (90-270)	0.64
Spacing Criteria (Diagonal)	0.70
Basic Luminous Shape	Circular
Luminous Length (0-180)	0.00 ft
Luminous Width (90-270)	0.47 ft (Diameter)
Luminous Height	0.00 ft

COEFFICIENTS OF UTILIZATION - ZONAL CAVITY METHOD

Effective Floor Cavity Reflectance 0.20

RC	80				70				50		
RW	70	50	30	10	70	50	30	10	50	30	10
0	93	93	93	93	90	90	90	90	86	86	86
1	87	85	83	81	85	83	81	79	80	78	77
2	82	78	74	71	81	77	73	71	74	71	69
3	78	72	68	64	76	71	67	64	69	65	63
4	73	67	62	58	72	66	61	58	64	60	57
5	69	62	57	53	68	61	57	53	60	56	53
6	66	58	53	49	64	58	53	49	56	52	49
7	62	55	49	46	61	54	49	46	53	49	46
8	59	51	46	43	58	51	46	43	50	46	43
9	56	48	44	40	56	48	43	40	47	43	40
10	54	46	41	38	53	45	41	38	45	41	38



Maximum Candela = 1300 Located At Horizontal Angle = 0, Vertical Angle = 0# 1 - Vertical Plane Through Horizontal Angles (0 - 180)# 2 - Vertical Plane Through Horizontal Angles (90 - 270)

Driver Details

Consult Factory for Driver Details.



Kurtzon Lighting / Quality Since 1898

Morris Kurtzon, Incorporated
 1420 South Talman Avenue, Chicago, Illinois 60608
 773/277-2121 FAX 773/277-9164 © 2008
 Website - www.kurtzon.com