

Med Lock Series

4' Luminaires for Corner Mount Installation

ML11

Specifications:

Housing: One piece, seam welded, hole free 20-gauge CRS, stainless steel or aluminum construction.

Door Frame: 20-gauge CRS or type 304 stainless steel channel door frame hinged to housing with two stainless steel cables. Secured by captive stainless steel screws. See Options for 85 PSI rating (HD-85).

Gaskets: Neoprene, 100% pure, closed cell located at interface of door to housing and door to lens. See Option "GG" for SealPro™ NSF Listed closed cell gasketing.

Reflector: Die formed metal with high reflectance white polyester powder coat finish. (minimum reflectivity 88%)

Lens: High durability .135" thick virgin acrylic with P12 prismatic pattern. See "Options" for other choices.

Lamps: Select lamp options listed below. Lamps supplied by others.

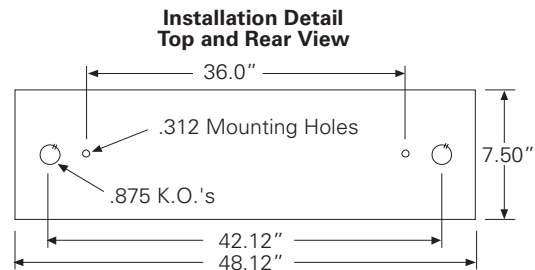
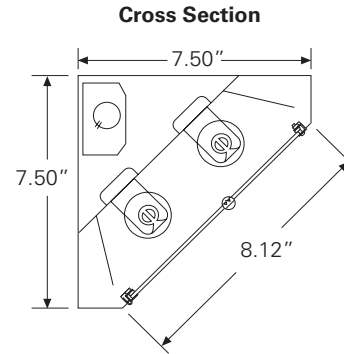
Electrical: Standard ballast - Electronic less than 10% THD high performance instant start universal voltage (120-277 volt). See options for other choices.

Finish: Gloss white high reflectance 1000 hr. salt spray polyester powder coat finish standard for all housings and CRS door frames. Stainless steel doorframes are satin polished unless option WHT is chosen. See "SSP" option for satin (#4) polished stainless steel housings.

Installation: Four .312" holes for surface mounting. Silicone sealed knockouts provided for conduit entry in six locations. Suitable for through wiring.

Listings: UL and CUL Listed for Wet Locations. IBEW Label.

Project: _____
 Fixture Type: _____



Ordering Information:

ML - COR - - - - -

Series	Installation Type	Material	Size	Lamps	Voltage	Options Options
ML	COR = Corner Mount	1 = CRS Hsg. & CRS Door			120V	FF = Fuse & Holder FD = Two Fuses & Holders 2/EB = Two Ballasts, (Two Circuits) EBL = -20°F Electronic Ballast* EBPRS = Program Rapid Start Ballast 1/EM = 1 Lamp Battery Pack (700L) 2/EM = 2 Lamp Battery Pack (1300L) TP = Stainless Steel Tamperproof Fasteners HD85 = 85 P.S.I. Hosedown GG = NSF listed SealPro™ Gasket WHT = White Finished Stainless Steel Door Frame LEX = .125" Prismatic Polycarbonate PA = Prismatic P12 Pattern Clear Acrylic A19 = Prismatic P19 Pattern Clear Acrylic HIA = High Impact P12 Pattern Acrylic TG = Prismatic (C73) Tempered Glass SSP = Stainless Steel Polished Housing
		2 = CRS Hsg. & SS Door			277V	
		3 = SS Hsg. & SS Door			347V	
		4 = Alum. Hsg. & SS Door			UNV	
	40 = 4' Housing	1, 2 or 3/T8 = F32T8 32-Watt T8 1 or 2/T5 = F28W/T5 28-Watt T5 (G5) 1 or 2/T5HO = F54W/T5 54-Watt T5HO (G5)				