

Med Lock Series

2x2 and 2x4 Recessed Flanged Luminaires for Advanced Surgical Suites

For Use in Straight Rows or Individual Layouts Only

ML08

Specifications:

Housing: One piece, seam welded, hole free 18-gauge aluminum construction. Fully white powder coated.

Door Frame: 20-gauge CRS or type 304 stainless steel one piece inset door frame hinged to housing with two stainless steel cables. Secured by captive stainless steel screws.

Gaskets: NSF Listed extruded closed cell Nitrile gasketing located at interface of door and housing. NSF listed silicone seals the door to the lens.

Reflector: Die formed metal with high reflectance white polyester powder coat finish. (minimum reflectivity 88%)

Lens: Two piece acrylic lens system with an external clear lens for easy cleaning and a linear prismatic acrylic lens internal for light control. RFI shielded with a .375" metallic conductive grid that complies with radiated emissions (RE102) of Military Standard 461F. Consult factory for other lens options.

Lamps: See lamp options listed below. Lamps supplied by others.

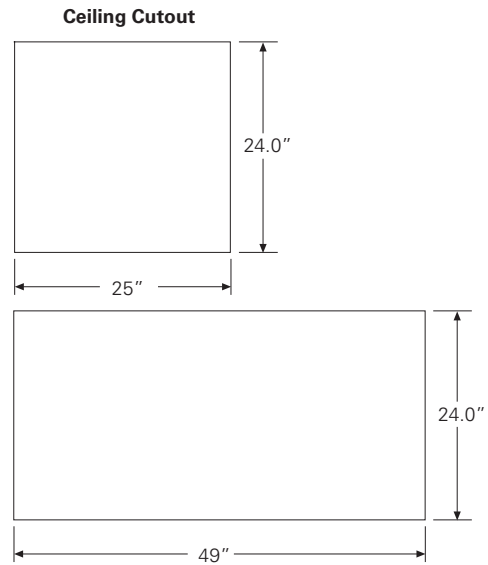
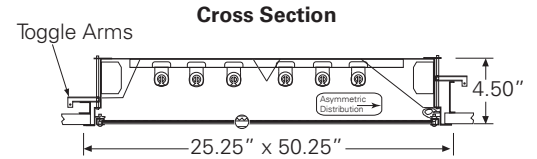
Electrical: Standard ballasts - Electronic, less than 10% THD high performance instant start universal voltage (120-277 volt). See options for other choices. Each fixture is standard with one RFI line suppressor. Tested to surpass conducted emissions (CE102) of Mil. Std. 461F See Options for additional selections for ballasts and suppressor circuits.

Finish: White DuPont Alesta™ using Agion® silver ion antimicrobial powder coat finish standard for both doors and housings. See option SSP for satin polished stainless steel doors.

Installation: Adjustable toggle arm mounting standard. See Options for yoke mounting system (YOKE). Four .875" flattened and silicone sealed knockouts for wiring. Suitable for through wiring.

Listings: UL and CUL Listed for Wet Locations. Cleanroom ISO14644-1 Class 5 (Fed Std-209E class 100) IBEW Union Label. EMC tested and labeled for Mil-Std 461F. NSF-2 Listed, IP-65 dust and water resistance.

Project: _____
 Fixture Type: _____



Ordering Information:

ML - OF - - - - -

Series	Installation Type	Material	Size	Lamps	Voltage	Options
<i>ML</i>	<i>OF</i> = Flange	4= Alum. Hsg. & SS Door 5= Alum. Hsg. & Alum. Door			120V 277V 347V UNV	<i>FF</i> = Fuse & Holder <i>FD</i> = Two Fuses & Holders <i>FT</i> = Three Fuses & Holders <i>ESB</i> = Magnetic Ballast (T8 32W only) <i>EBPRS</i> = Program Rapid Start Ballast <i>DIM</i> = Electronic Dimming Ballast** <i>1/EM</i> = One Lamp Emergency Ballast (700 L) <i>2/EM</i> = Two Lamp Emergency Ballast (1300 L) <i>F/EM</i> = Two Lamp Emergency Ballast (3000L)† <i>2/CIR</i> = Two RFI Protected Switched Circuits <i>3/CIR</i> = Three RFI Protected Switched Circuits <i>GG</i> = NSF listed SealPro™ Gasket <i>SSP</i> = Satin Polished SS Door <i>P12/RFI</i> = Prismatic P12 Acrylic w/RFI Grid <i>PF</i> = Plaster frame (For wet plaster ceilings) <i>GL2</i> = Two Green 550nm T8 lamps <i>CRM</i> = Continuous Row Mounting <i>YOKE</i> = Yoke Mounting System
	2x2 = 2'x2' Housing	2, 3, 4 or 6/T8 = F17T8 17W T8 (G13) 1 or 2/T8U6 = F32T8/U/6 (6" U-Lamp, G13) 2 or 3/T8U1 = F31T8/U (1.625" U-Lamp, G13) 2, 3 or 4/BX = 40-Watt Biax (2G11) 2, 3, 4 or 6/T5HO = F24WT5 24W T5HO (G5)				
	2x4 = 2'x4' Housing	2, 3, 4 or 6/T8 = F32T8 32W T8 (G13) 2, 3, 4 or 6/T5 = F28WT5 28W T5 (G5) 2, 3, 4 or 6/T5HO = F54WT5 54W T5HO (G5)				

**Dimming ballasts are 0-10vdc type by manufacturer of our choice unless specified. Use DIM/(Model Name) to specify a certain dimming system.
 †Externally Mounted Emergency ballast is secured to top of fixture

