

Med Lock Series

2x2 and 2x4 Recessed Flanged Luminaires for Basic Surgical Suites

For Use in Individual Layouts Only

ML01

Specifications:

Housing: One piece, seam welded, hole free 20-gauge CRS, stainless steel or aluminum construction. Fully white powder coated. Consult factory for optional satin polished flanges.

Door Frame: 20-gauge CRS or type 304 stainless steel channel door frame hinged to housing with two stainless steel cables. Secured by captive stainless steel screws. See Options for 85 PSI rating (HD-85).

Gaskets: Neoprene, 100% pure, closed cell located at interface of door to housing and door to lens. See Option "GG" for SealPro™ NSF Listed closed cell gasketing.

Reflector: Die formed metal with high reflectance white polyester powder coat finish. (minimum reflectivity 88%)

Lens: One piece symmetric/asymmetric acrylic lens gasketed (closed cell 100% pure neoprene) in channel door frame. RFI shielded lens (.375" metallic silver grid) complies with radiated emissions (RE101) of Military Standard 461E. Consult factory for other lens options.

Lamps: See lamp options listed below. Lamps supplied by others.

Electrical: Standard ballasts - Electronic, less than 10% THD high performance instant start universal voltage (120-277 volt). See options for other choices. Each fixture is standard with one RFI line suppressor. Tested to surpass conducted emissions (CE102) of Mil. Std. 461e See Options for additional selections for ballasts and suppressor circuits.

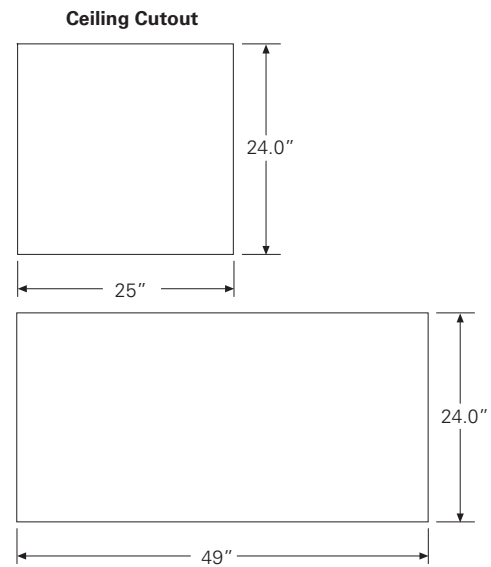
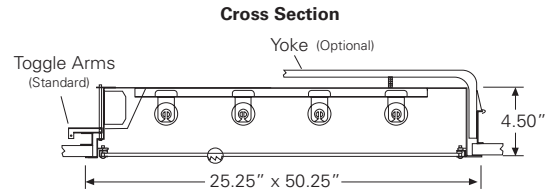
Finish: Gloss white high reflectance 1000 hr. salt spray polyester powder coat finish standard for all housings. Stainless steel doorframes are satin polished unless option WHT is chosen.

Installation: Adjustable toggle arm mounting standard. See Options for yoke mounting system (YOKE). Four .875" flattened and silicone sealed knockouts for wiring. Suitable for through wiring.

Listings: UL and CUL Listed for Wet Locations. Cleanroom ISO14644-1 Class 7 (Fed Std-209E class 10,000) IBEW Union Label. EMC tested and labeled for Mil-Std 461E.

Ordering Information:

Project: _____
 Fixture Type: _____



ML	-	EF	-	-	-	-	-
----	---	----	---	---	---	---	---

Series	Installation Type	Material	Size	Lamps	Voltage	Options
ML	EF = Flange	1 = CRS Hsg. & CRS Door			120V	FF = Fuse & Holder
		2 = CRS Hsg. & SS Door				
		3 = SS Hsg. & SS Door			277V	FD = Two Fuses & Holders
		4 = Alum. Hsg. & SS Door				
					347V	FT = Three Fuses & Holders
					UNV	ESB = Magnetic Ballast (T8 32W only)
2x2 = 2'x2' Housing		2, 3, 4 or 6/T8 = F17T8 17W T8 (G13)				EBPRS= Program Rapid Start Ballast
		1 or 2/T8U6 = F32T8/U/6 (6" U-Lamp, G13)				DIM = Electronic Dimming Ballast**
		2 or 3/T8U1 = F31T8/U (1.625" U-Lamp, G13)				1/EM = One Lamp Emergency Ballast (700 L)
		2, 3 or 4/BX = 40-Watt Biax (2G11)				2/EM = Two Lamp Emergency Ballast (1300 L)
		2, 3, 4 or 6/T5HO = F24WT5 24W T5HO (G5)				F/EM= Two Lamp Emergency Ballast (3000L)†
2x4 = 2'x4' Housing		2, 3, 4 or 6/T8 = F32T8 32W T8 (G13)				2/CIR= Two RFI Protected Switched Circuits
		2, 3, 4 or 6/T5 = F28WT5 28W T5 (G5)				3/CIR= Three RFI Protected Switched Circuits
		2, 3, 4 or 6/T5HO = F54WT5 54W T5HO (G5)				GG = NSF listed SealPro™ Gasket
						WHT= White Polyester Coated SS Door
						P12/RFI= Prismatic P12 Acrylic w/RFI Grid
						PF= Plaster frame (For wet plaster ceilings)
						GL2= Two Green 550nm T8 lamps
						YOKE= Yoke Mounting System
		**Dimming ballasts are 0-10vdc type by manufacturer of our choice unless specified. Use DIM/(Model Name) to specify a certain dimming system.				
		†Externally Mounted Emergency ballast is secured to top of fixture				